

M1HN Series High Power DC-6GHZ Manual Switch

SPDT

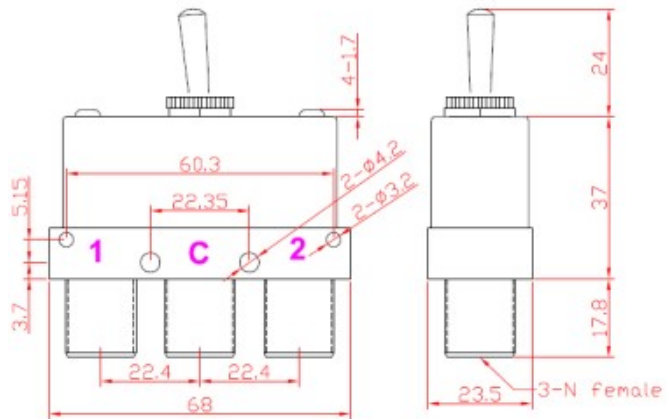
RF SPEC.

Frequency Range	Insertion Loss	VSWR	Isolation	Power Handling
DC-1GHZ	<0.10dB	<1.10	>80dB	1200W
1-2GHZ	<0.15dB	<1.15	>70dB	700W
2-3GHZ	<0.20dB	<1.20	>65dB	600W
3-6GHZ	<0.40dB	<1.35	>60dB	400W

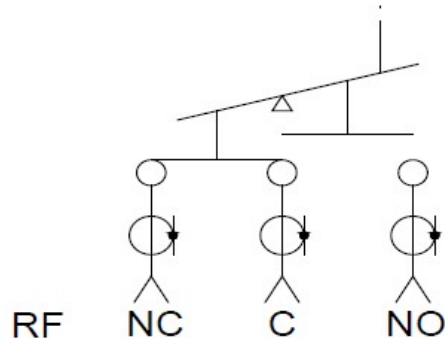


Characteristics Outline Drawing (mm)

RF Impedance 50 ohm
 Operating Life >10,000
 Operating Temperature -25 ~ +65°C
 RF Interface N female
 Weight:



Schematics



Part Number Selector

- M1HN2-1** (High Power SPDT Manual /DC-1GHZ/N female)
- M1HN2-3** (High Power SPDT Manual /DC-3GHZ/N female)
- M1HN2-6** (High Power SPDT Manual /DC-6GHZ/N female)



Tel :10-82087227
 Fax:10-82087380

E-mail: sales@rf-switch.com
 Web site: www.rf-switch.com