

M1N2 Series DC-12.4GHZ Manual Switch

SPDT

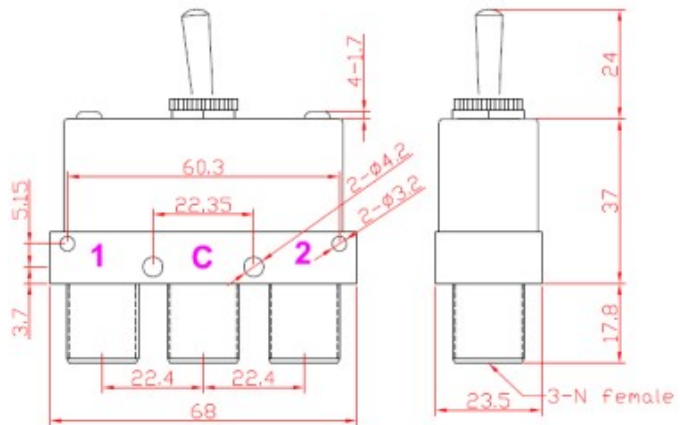
RF SPEC.

Frequency Range	Insertion Loss	VSWR	Isolation	Power Handling
DC-3GHZ	<0.20dB	<1.20	>70dB	200W
3-6GHZ	<0.40dB	<1.35	>65dB	150W
6-12.4GHZ	<0.60dB	<1.50	>60dB	100W

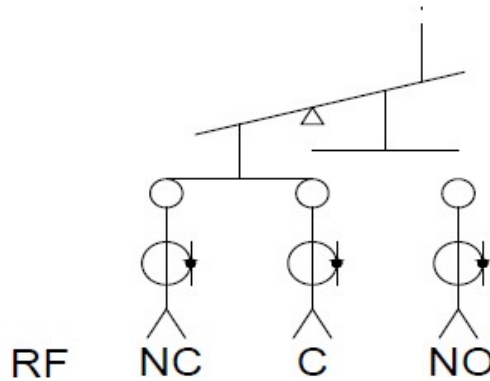


Characteristics Outline Drawing (mm)

RF Impedance 50 ohm
 Operating Life >10,0000
 Operating Temperature -25 ~ +65°C
 RF Interface N female
 Weight:



Schematics



Part Number Selector

- M1N2-3** (SPDT Manual /DC-3GHZ/N female)
- M1N2-6** (SPDT Manual /DC-6GHZ/N female)
- M1N2-12** (SPDT Manual /DC-12.4GHZ/N female)



Tel :10-82087227
 Fax:10-82087380

E-mail: sales@rf-switch.com
 Web site: www.rf-switch.com