

RF SPEC.

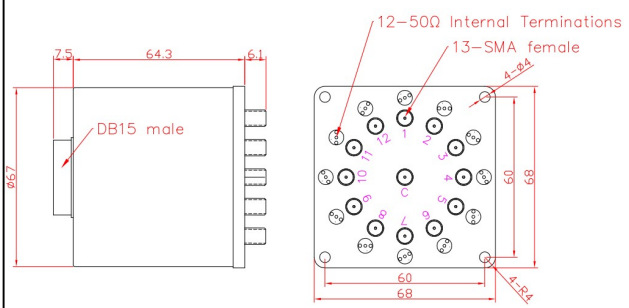
Frequency Range	Insertion Loss	VSWR	Isolation	Power Handling
DC-3GHZ	<0.20dB	<1.20	>80dB	60W
3-6GHZ	<0.30dB	<1.30	>70dB	40W
6-12.4GHZ	<0.40dB	<1.40	>65dB	20W
12.4-15GHZ	<0.60dB	<1.50	>60dB	10W
15-18GHZ	<1.10dB	<2.20	>60dB	10W



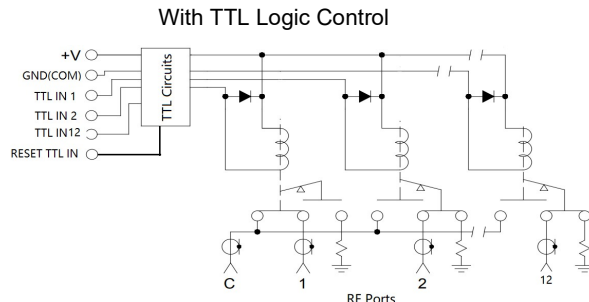
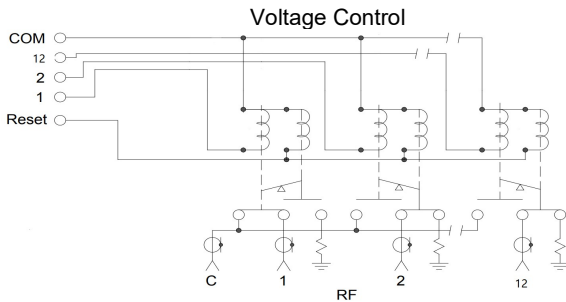
*Internal Termination Power Handling: 1W(CW)

Characteristics Outline Drawing (mm)

RF Impedance 50 ohm
 Control Voltage/Current : DC12V/200mA,RESET=N*200mA
 DC24V/100mA,RESET=N*100mA
 Switching Time <20ms
 Operating Life >100,0000
 Operating Temperature -25 ~ +65°C
 RF Interface SMA female



Schematics



Part Number Selector

Series	RF Channel	Voltage	Frequency Range	Option
P/N:L1TS	<input type="checkbox"/>	<input type="checkbox"/> <input type="checkbox"/>	<input type="checkbox"/> <input type="checkbox"/>	<input type="checkbox"/>
	<input type="checkbox"/> 9	<input type="checkbox"/> 1 <input type="checkbox"/> 2 DC12V	<input type="checkbox"/> 0 <input type="checkbox"/> 3 DC-3GHZ	<input type="checkbox"/> Voltage Control / COM Port is Negative
	<input type="checkbox"/> 10	<input type="checkbox"/> 2 <input type="checkbox"/> 4 DC24V	<input type="checkbox"/> 0 <input type="checkbox"/> 6 DC-6GHZ	<input type="checkbox"/> R Voltage Control / COM Port is Positive
	<input type="checkbox"/> 11		<input type="checkbox"/> 1 <input type="checkbox"/> 2 DC-12GHZ	<input type="checkbox"/> T-S With TTL Control & Self cut-off Circuits
	<input type="checkbox"/> 12		<input type="checkbox"/> 1 <input type="checkbox"/> 8 DC-18GHZ	

* NO COM Port Polar SPEC. For With TTL Control

L1TS101206 (SP10TLatching Type/With Termination/DC12V(COM Port is Negative, RESET is Positive)/DC-6GHZ/SMA female/DB15 male)

L1TS122412R (SP12T Latching Type/With Terminator/DC12V(COM Port is Positive, RESET is Negative)/DC-12.4GHZ/SMA female/DB15 male)

L1TS122415T-S (SP12T Latching Type/With Termination/DC24V/DC-15GHZ/With TTL Control & self cut-off circuits/SMA female/DB15 male)



Tel :10-82087227
 Fax:10-82087380

E-mail: sales@rf-switch.com
 Web site: www.rf-switch.com