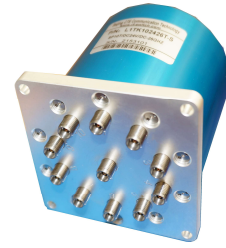


RF SPEC.

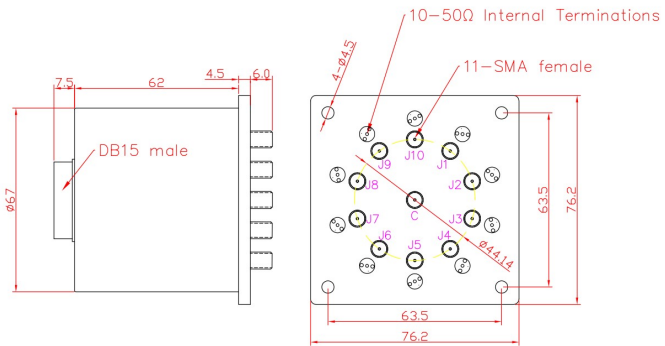
Frequency Range	Insertion Loss	VSWR	Isolation	Power Handling
DC-3GHZ	<0.20dB	<1.20	>80dB	30W
3-6GHZ	<0.30dB	<1.30	>75dB	20W
6-12GHZ	<0.40dB	<1.40	>70dB	15W
12-18GHZ	<0.60dB	<1.60	>55dB	10W



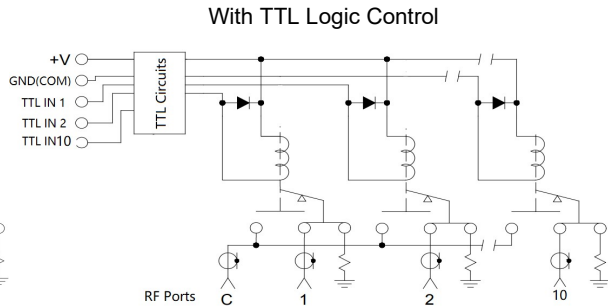
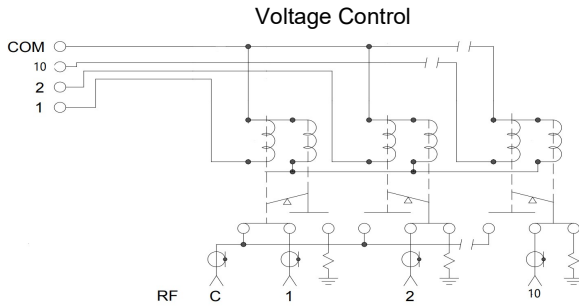
*Internal Termination Power Handling: 1W(CW)

Characteristics Outline Drawing (mm)

RF Impedance 50 ohm
 Control Voltage/Current : DC12V/285mA
 DC24V/160mA
 Switching Time <20ms
 Operating Life >100,000
 Operating Temperature -25 ~ +65°C
 RF Interface SMA female



Schematics



Part Number Selector

Series	RF Channel	Voltage	Frequency Range	Option
P/N:1TS10	<input type="checkbox"/>	<input type="checkbox"/>	<input type="checkbox"/>	<input type="checkbox"/>
	<input type="checkbox"/> 9	<input type="checkbox"/> 1 <input type="checkbox"/> 2 DC12V	<input type="checkbox"/> 0 <input type="checkbox"/> 3 DC-3GHZ	<input type="checkbox"/> Voltage Control / COM Port is Negative
	<input type="checkbox"/> 10	<input type="checkbox"/> 2 <input type="checkbox"/> 4 DC24V	<input type="checkbox"/> 0 <input type="checkbox"/> 6 DC-6GHZ	<input type="checkbox"/> R Voltage Control / COM Port is Positive
			<input type="checkbox"/> 1 <input type="checkbox"/> 2 DC-12GHZ	<input type="checkbox"/> T With TTL Control
			<input type="checkbox"/> 1 <input type="checkbox"/> 8 DC-18GHZ	

* NO COM Port Polar SPEC. For With TTL Control

1TS101206 (SP10T Normally Open Type/With Termination/DC12V(COM Port is Negative)/DC-6GHZ/SMA female/DB15 male)

1TS92412R (SP9T Normally Open Type/With Termination/DC24V(COM Port is Positive)/DC-12GHZ/SMA female/DB15 male)

1TS102418T (SP10T Normally Open Type/With Termination/DC24V/DC-18GHZ/With TTL Control/SMA female/DB15 male)



Tel :0086-10-82087227

Fax:0086-10-82087380

E-mail: sales@rf-switch.com

Web site: www.rf-switch.com