

RF SPEC.

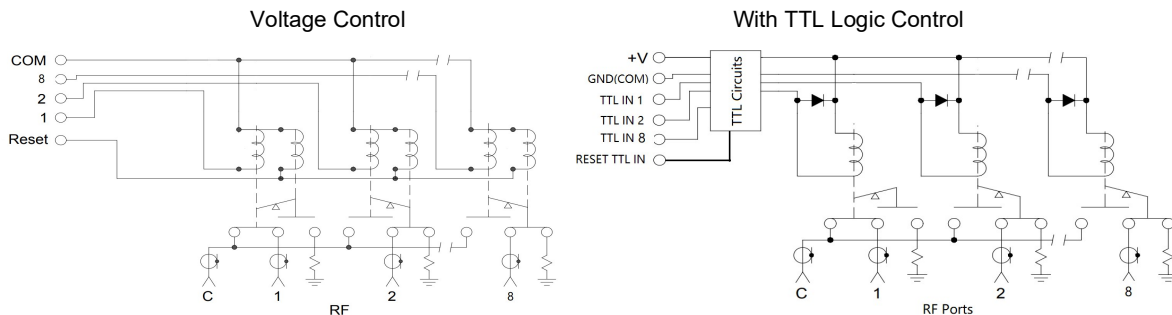
Frequency Range	Insertion Loss	VSWR	Isolation	Power Handling
DC-3GHZ	<0.20dB	<1.20	>80dB	60W
3-6GHZ	<0.30dB	<1.30	>70dB	40W
6-12.4GHZ	<0.40dB	<1.40	>65dB	30W
12.4-18GHZ	<0.60dB	<1.50	>60dB	10W



*Internal Termination Power Handling: 1W(CW)

Characteristics	Outline Drawing (mm)
<p>RF Impedance: 50 ohm</p> <p>Control Voltage/Current: DC12V/200mA, RESET=N*200mA DC24V/100mA, RESET=N*100mA</p> <p>Switching Time: <20ms</p> <p>Operating Life: >100,000</p> <p>Operating Temperature: -25 ~ +65°C</p> <p>RF Interface: SMA female</p> <p>Weight:</p>	<p>9-SMA female Diameter=39mm 8-50ohm Internal Terminations</p>

Schematics



Part Number Selector

Series P/N: L1TS

RF Channel

Voltage

Frequency Range

Option

DC12V
 DC24V

DC-3GHZ
 DC-6GHZ
 DC-12GHZ
 DC-18GHZ

Voltage Control / COM Port is Negative
 Voltage Control / COM Port is Positive
 With TTL Control & Self cut-off Circuits

* NO COM Port Polar SPEC. For With TTL Control

L1TS81206 (SP8T Latching Type/With Termination/DC12V(COM Port is Negative, RESET is Positive)/DC-6GHZ/SMA female/DB15 male)

L1TS81212R (SP8T Latching Type/With Termination/DC12V(COM Port is Positive, RESET is Negative)/DC-12GHZ/SMA female/db15 male)

L1TS82418T-S (SP8T Latching Tye/With Termination/DC24V/DC-18GHZ/With TTL Control & self cut-off circuits/SMA female/DB15 male)



Tel :10-82087227

Fax:10-82087380

E-mail: sales@rf-switch.com

Web site: www.rf-switch.com