

## RF SPEC.

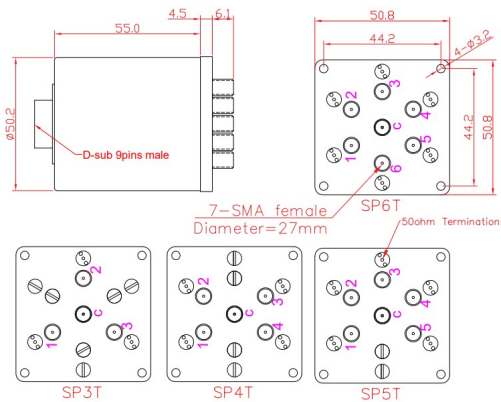
Frequency Range	Insertion Loss	VSWR	Isolation	Power Handling
DC-3GHZ	<0.20dB	<1.20	>80dB	85W
3-6GHZ	<0.30dB	<1.30	>70dB	60W
6-12.4GHZ	<0.40dB	<1.40	>65dB	40W
12.4-18GHZ	<0.50dB	<1.50	>60dB	20W
18-22GHZ	<0.60dB	<1.60	>55dB	15W



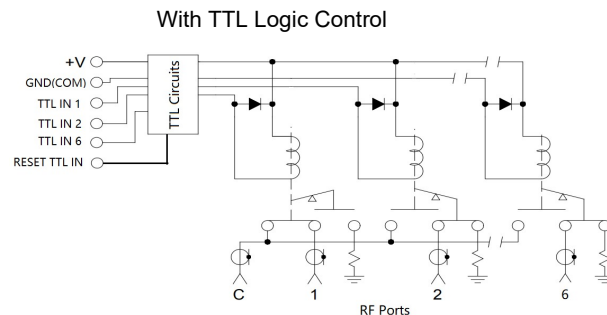
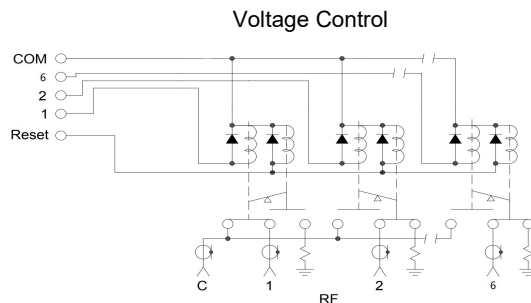
\* Internal Termination Power Handling: 1W(CW)

## Characteristics Outline Drawing (mm)

**RF Impedance** 50 ohm  
**Control Voltage/Current:** DC12V/200mA,RESET=N\*200mA  
 DC24V/100mA,RESET=N\*100mA  
**Switching Time** <20ms  
**Operating Life** >100,0000  
**Operating Temperature** -25 ~ +65°C  
**RF Interface** SMA female  
**Weight:**



## Schematics



## Part Number Selector

<b>Series</b>	<b>RF Channel</b>	<b>Voltage</b>	<b>Frequency Range</b>	<b>Option</b>	<b>Indicator</b>
P/N: L1TS	<input type="checkbox"/>	<input type="checkbox"/>	<input type="checkbox"/>	<input type="checkbox"/>	<input type="checkbox"/>
	<input type="checkbox"/> 3	<input type="checkbox"/> 1 <input type="checkbox"/> 2 DC12V	<input type="checkbox"/> 0 <input type="checkbox"/> 3 DC-3GHZ	<input type="checkbox"/> Voltage Control / COM Port is Negative	<input type="checkbox"/> No Indicator
	<input type="checkbox"/> 4	<input type="checkbox"/> 2 <input type="checkbox"/> 4 DC24V	<input type="checkbox"/> 0 <input type="checkbox"/> 6 DC-6GHZ	<input type="checkbox"/> R Voltage Control / COM Port is Positive	<input type="checkbox"/> With Indicator
	<input type="checkbox"/> 5		<input type="checkbox"/> 1 <input type="checkbox"/> 2 DC-12GHZ	<input type="checkbox"/> T-S With TTL Control & Self cut-off Circuits	
	<input type="checkbox"/> 6		<input type="checkbox"/> 1 <input type="checkbox"/> 8 DC-18GHZ		

\* NO COM Port Polar SPEC. For With TTL Control

\* With Indicator is only for with TTL Control and With DB15 male connector

L1TS41206 (SP4T Latching Type/With Termination/DC12V(COM Port is Negative,RESET is Positive)/DC-6GHZ/SMA female/DB9 male)

L1TS62412R (SP6T Latching Type/With Termination/DC24V(COM Port is Positive,RESET is Negative)/DC-12.4GHZ/SMA female/DB9 male)

L1TS42418T-S-I (SP4T Latching Type/With Termination/DC24V/DC-18GHZ/With TTL Control & self cut-off circuits/With Indicator/SMA female/DB15 male)



Tel :10-82087227

Fax:10-82087380

E-mail: sales@rf-switch.com

Web site: www.rf-switch.com