

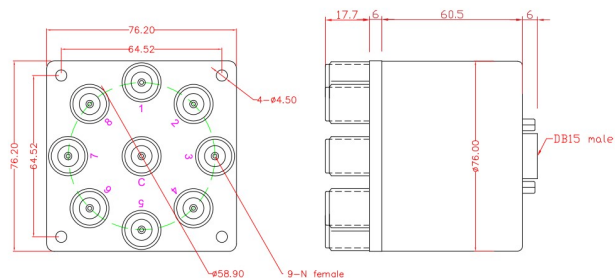
## RF SPEC.

Frequency Range	Insertion Loss	VSWR	Isolation	Power Handling
DC-1GHZ	<0.10dB	<1.10	>80dB	1000W
1-3GHZ	<0.20dB	<1.20	>70dB	600W
3-6GHZ	<0.40dB	<1.35	>60dB	400W
6-8GHZ	<0.60dB	<1.50	>55dB	300W

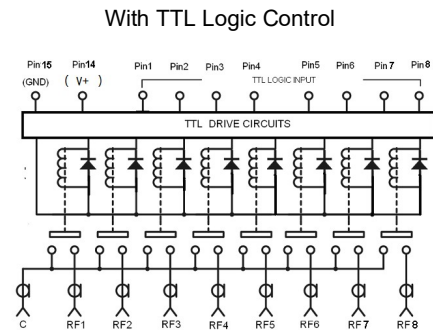
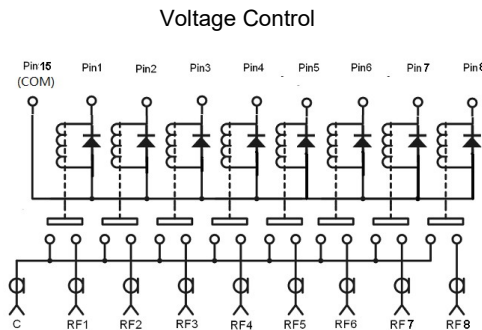


## Characteristics      Outline Drawing (mm)

**RF Impedance**            50 ohm  
**Control Voltage/Current:** DC12V /275mA  
                                   DC24V / 160mA (Option:15V,28V)  
**Switching Time**        <20ms  
**Operatign Life**         >100,0000  
**Operating Tempreature** -25 ~ +65°C  
**RF Interface**            N female  
**Weight:**



## Schematics



## Part Number Selector

Series	RF Channel	Voltage	Frequency Range	TTL Control	Option
P/N: 1HN	<input type="checkbox"/>	<input type="checkbox"/> <input type="checkbox"/>	<input type="checkbox"/> <input type="checkbox"/>	<input type="checkbox"/>	-V (Anti Vibration)
	<input type="checkbox"/> 7	1 2 DC12V	0 3 DC-3GHZ	<input type="checkbox"/> NO TTL	-W (Splash)
	<input type="checkbox"/> 8	2 4 DC24V	0 6 DC-6GHZ	<input checked="" type="checkbox"/> TTL	
		2 8 DC28V	0 8 DC-8GHZ		

**1HN81206** (High Power SP8T Normally Open Type/DC12V/DC-6GHZ/N female/DB15 male)

**1HN82403T-V** (High Power SP8T Normally Open Type/DC24V/DC-3GHZ/With TTL Control/N female/DB15 male/Anti Vibration)



Tel :10-82087227

Fax:10-82087380

E-mail: [sales@rf-switch.com](mailto:sales@rf-switch.com)

Web site: [www.rf-switch.com](http://www.rf-switch.com)