

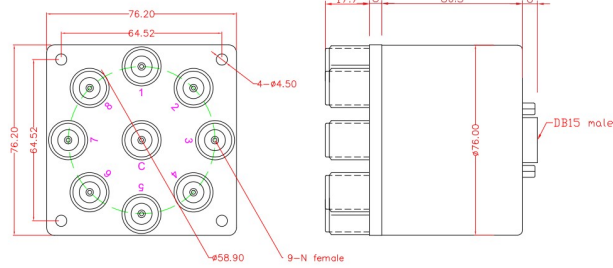
RF SPEC.

Frequency Range	Insertion Loss	VSWR	Isolation	Power Handling
DC-1GHZ	<0.10dB	<1.10	>80dB	300W
1-3GHZ	<0.20dB	<1.20	>70dB	200W
3-6GHZ	<0.40dB	<1.35	>60dB	150W
6-8GHZ	<0.60dB	<1.50	>55dB	100W

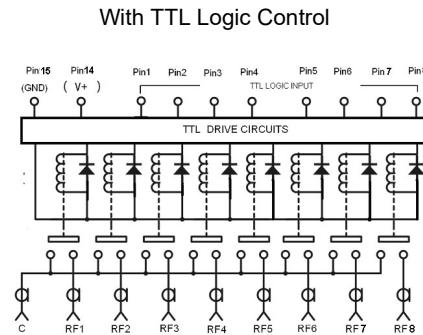
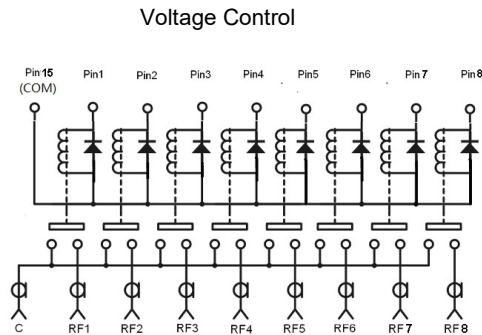


Characteristics Outline Drawing (mm)

RF Impedance 50 ohm
 Control Voltage/Current: DC12V /275mA
 DC24V / 160mA (Option:15V,28V)
 Switching Time <20ms
 Operatign Life >100,0000
 Operating Tempreature -25 ~ +65°C
 RF Interface N female
 Weight:



Schematics



Part Number Selector

Series	RF Channel	Voltage	Frequency Range	TTL Control	Option
P/N: 1N	<input type="checkbox"/>	<input type="checkbox"/> <input type="checkbox"/>	<input type="checkbox"/> <input type="checkbox"/>	<input type="checkbox"/>	-V (Anti Vibration)
	<input type="checkbox"/> 7	<input type="checkbox"/> 1 <input type="checkbox"/> 2 DC12V	<input type="checkbox"/> 0 <input type="checkbox"/> 3 DC-3GHZ	<input type="checkbox"/> NO TTL	-W (Splash)
	<input type="checkbox"/> 8	<input type="checkbox"/> 2 <input type="checkbox"/> 4 DC24V	<input type="checkbox"/> 0 <input type="checkbox"/> 6 DC-6GHZ	<input checked="" type="checkbox"/> TTL	
		<input type="checkbox"/> 2 <input type="checkbox"/> 8 DC28V	<input type="checkbox"/> 0 <input type="checkbox"/> 8 DC-8GHZ		

1N81206 (SP8T Normally Open Type/DC12V/DC-6GHZ/N female/DB15 male)

1N82403T-V (SP8T Normally Open Type/DC24V/DC-3GHZ/With TTL Control/N female/DB15 male/Anti Vibration)



Tel :10-82087227
 Fax:10-82087380

E-mail: sales@rf-switch.com
 Web site: www.rf-switch.com