

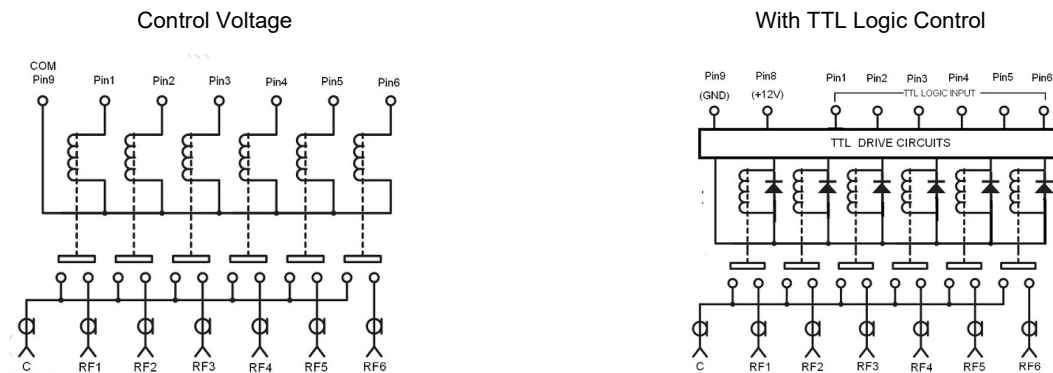
RF SPEC.

Frequency Range	Insertion Loss	VSWR	Isolation	Power Handling
DC-0.5GHZ	<0.08dB	<1.05	>85dB	1600W
0.5-1GHZ	<0.10dB	<1.10	>80dB	1100W
1-2GHZ	<0.15dB	<1.15	>75dB	700W
2-3GHZ	<0.20dB	<1.20	>70dB	600W
3-6GHZ	<0.40dB	<1.35	>65dB	400W



Characteristics	Outline Drawing (mm)
<p>RF Impedance: 50 ohm</p> <p>Control Voltage/Current: DC12V /275mA DC24V / 160mA (Option:15V,28V)</p> <p>Switching Time: <20ms</p> <p>Operating Life: >100,000</p> <p>Operating Temperature: -25 ~ +65°C</p> <p>RF Interface: N female</p> <p>Weight:</p>	

Schematics



Part Number Selector

Series	RF Channel	Voltage	Frequency Range	TTL Control	Option1	Option2
P/N:1HN	<input type="checkbox"/>	<input type="checkbox"/> <input type="checkbox"/>	<input type="checkbox"/> <input type="checkbox"/>	<input type="checkbox"/>	<input type="checkbox"/>	-V (Anti Vibration)
	<input type="checkbox"/> 3	<input type="checkbox"/> 1 <input type="checkbox"/> 2 DC12V	<input type="checkbox"/> 0 <input type="checkbox"/> 3 DC-3GHZ	<input type="checkbox"/> NO TTL	<input type="checkbox"/> DB9 male	-W (Splash)
	<input type="checkbox"/> 4	<input type="checkbox"/> 2 <input type="checkbox"/> 4 DC24V	<input type="checkbox"/> 0 <input type="checkbox"/> 6 DC-6GHZ	<input type="checkbox"/> T TTL	<input type="checkbox"/> S Soldering Pin	
	<input type="checkbox"/> 5	<input type="checkbox"/> 2 <input type="checkbox"/> 8 DC28V				
	<input type="checkbox"/> 6					

1HN61206 (High Power SP6T Normally Open Type/DC12V/DC-6GHZ/N female/DB9 male)

1HN61206-S (High Power SP6T Normally Open Type/DC12V/DC-6GHZ/N female/Soldering Pin)

1HN42403T-V (High Power SP4T Normally Open Type/DC24V/DC-3GHZ/With TTL Control/N female/DB9 male/Anti Vibration)



Tel :10-82087227

Fax:10-82087380

E-mail: sales@rf-switch.com

Web site: www.rf-switch.com