

1N3-6 系列 DC-12.4GHZ 常开型

SP3T-6T

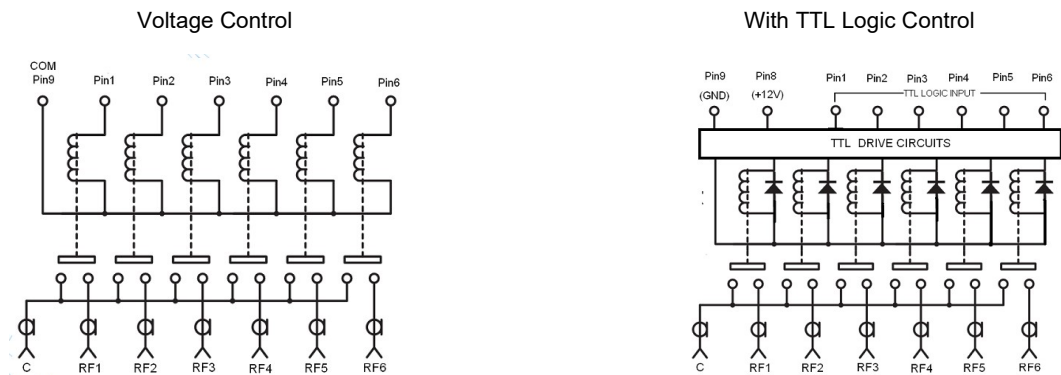
RF SPEC.

Frequency Range	Insertion Loss	VSWR	Isolation	Power Handling
DC-3GHZ	<0.20dB	<1.20	>80dB	200W
3-6GHZ	<0.30dB	<1.30	>70dB	150W
6-8GHZ	<0.40dB	<1.45	>65dB	120W
8-12.4GHZ	<0.60dB	<1.60	>60dB	90W



Characteristics	Outline Drawing (mm)
RF Impedance 50 ohm	
Control Voltage/Current: DC12V / 275mA DC24V / 160mA (Option: 15V, 28V)	
Switching Time <20ms	
Operating Life >100,000	
Operating Temperature -25 ~ +65°C	
RF Interface N female	
Weight:	

Schematics



Part Number Selector

Series	RF Channel	Voltage	Frequency Range	TTL Control	Option1	Option2
P/N: 1N	<input type="checkbox"/>	<input type="checkbox"/> <input type="checkbox"/>	<input type="checkbox"/> <input type="checkbox"/>	<input type="checkbox"/>	<input type="checkbox"/>	-V (Anti Vibration)
	<input type="checkbox"/> 3	<input type="checkbox"/> 1 <input type="checkbox"/> 2 DC12V	<input type="checkbox"/> 0 <input type="checkbox"/> 3 DC-3GHZ	<input type="checkbox"/> NO TTL	<input type="checkbox"/> DB9 male	-W (Splash)
	<input type="checkbox"/> 4	<input type="checkbox"/> 2 <input type="checkbox"/> 4 DC24V	<input type="checkbox"/> 0 <input type="checkbox"/> 6 DC-6GHZ	<input type="checkbox"/> T TTL	<input type="checkbox"/> S Soldering Pin	
	<input type="checkbox"/> 5	<input type="checkbox"/> 2 <input type="checkbox"/> 8 DC28V	<input type="checkbox"/> 1 <input type="checkbox"/> 2 DC-12GHZ			
	<input type="checkbox"/> 6					

- 1N61206** (SP6T Normally Open Type/DC12V/DC-6GHZ/N female/DB9 male)
- 1N62803-S-W** (SP6T Normally Open Type/DC28V/DC-3GHZ/N female/Soldering Pin/Splash)
- 1N42403T-V** (SP4T Normally Open Type/DC24V/DC-3GHZ/With TTL Control/N female/DB9 male/Anti Vibration)



Tel :10-82087227
Fax:10-82087380

E-mail: sales@rf-switch.com
Web site: www.rf-switch.com