

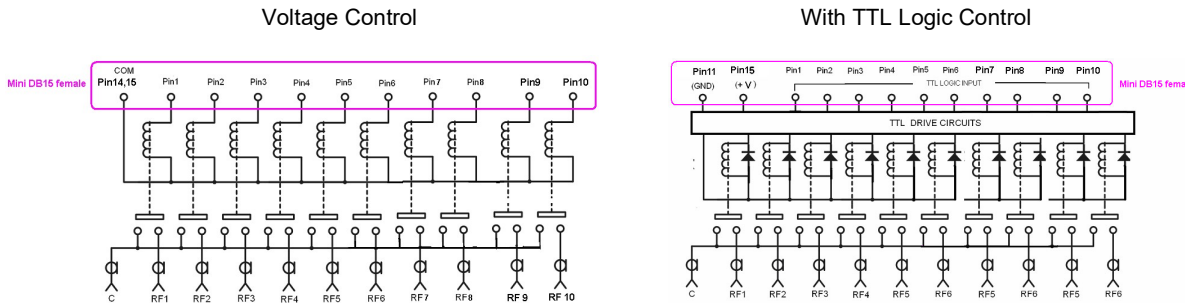
RF SPEC.

Frequency Range	Insertion Loss	VSWR	Isolation	Power Handling
DC-3GHZ	<0.20dB	<1.20	>70dB	80W
3-6GHZ	<0.40dB	<1.30	>65dB	60W
6-12.4GHZ	<0.50dB	<1.40	>60dB	30W
12.4-16GHZ	<0.60dB	<1.60	>55dB	20W
16-18GHZ	<0.80dB	<1.80	>50dB	15W



Characteristics	Outline Drawing (mm)
RF Impedance: 50 ohm	
Control Voltage/Current: DC12V /270mA DC24V / 140mA	
Switching Time: <20ms	
Operating Life: >100,000	
Operating Temperature: -25 ~ +65°C	
RF Interface: SMA female	
Weight:	

Schematics



Part Number Selector

Series	RF Channel	Voltage	Frequency Range	TTL Control	Option
P/N: 1S	<input type="checkbox"/>	<input type="checkbox"/> <input type="checkbox"/>	<input type="checkbox"/> <input type="checkbox"/>	<input type="checkbox"/>	-V (Anti Vibration)
	<input type="checkbox"/> 9	<input type="checkbox"/> 1 <input type="checkbox"/> 2 DC12V	<input type="checkbox"/> 0 <input type="checkbox"/> 3 DC-3GHZ	<input type="checkbox"/> NO TTL	-W (Splash)
	<input type="checkbox"/> 10	<input type="checkbox"/> 2 <input type="checkbox"/> 4 DC24V	<input type="checkbox"/> 0 <input type="checkbox"/> 6 DC-6GHZ	<input checked="" type="checkbox"/> TTL	
		<input type="checkbox"/> 2 <input type="checkbox"/> 8 DC28V	<input type="checkbox"/> 1 <input type="checkbox"/> 2 DC-12GHZ		
			<input type="checkbox"/> 1 <input type="checkbox"/> 8 DC-18GHZ		

- 1S101206 (SP10T Normally Open Type/DC12V/DC-6GHZ/SMA female/Mini DB15 female)
- 1S92412 (SP9T Normally Open Type/DC24V/DC-12GHZ/SMA female/Mini DB15 female)
- 1S102418T (SP10T Normally Open/DC24V/DC-18GHZ/With TTL Control/SMA female/Mini DB15 female)

