

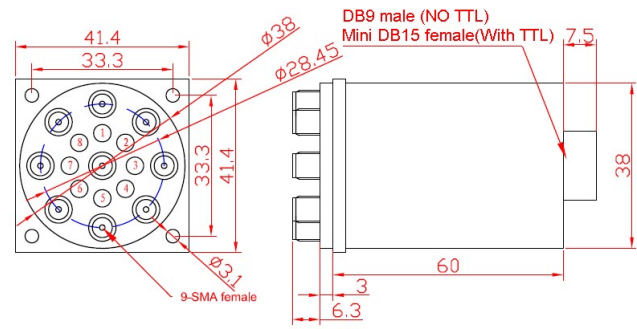
**RF SPEC.**

Frequency Range	Insertion Loss	VSWR	Isolation	Power Handling
DC-3GHZ	<0.20dB	<1.20	>80dB	80W
3-6GHZ	<0.30dB	<1.30	>70dB	60W
6-12.4GHZ	<0.40dB	<1.40	>60dB	30W
12.4-18GHZ	<0.80dB	<1.60	>50dB	20W
*18-20GHZ	<1.00dB	<1.80	>50dB	15W

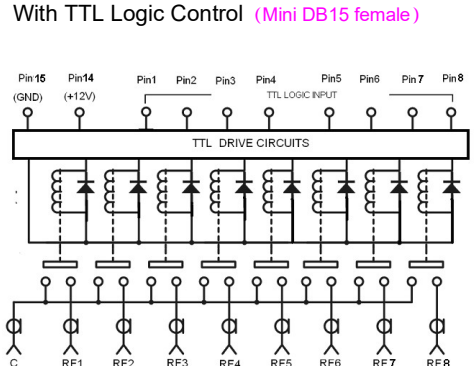
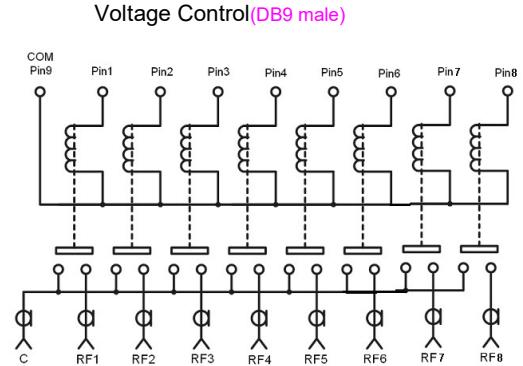


**Characteristics**      **Outline Drawing (mm)**

RF Impedance      50 ohm  
 Control Voltage/Current: DC12V /270mA  
                                  DC24V / 140mA (Option:15V,28V)  
 Switching Time      <20ms  
 Operating Life      >100,0000  
 Operating Temperture      -25 ~ +65°C  
 RF Interface      SMA female  
 Weight:



**Schematics**



**Part Number Selector**

Series	RF Channel	Voltage	Frequency Range	TTL Control	Option
P/N: 1S	<input type="checkbox"/> <input type="checkbox"/>	<input type="checkbox"/> <input type="checkbox"/>	<input type="checkbox"/> <input type="checkbox"/>	<input type="checkbox"/>	-V (Anti Vibration)
	<input type="checkbox"/> 7	1 2 DC12V	0 3 DC-3GHZ	<input type="checkbox"/> NO TTL	-W (Splash)
	<input type="checkbox"/> 8	2 4 DC24V	0 6 DC-6GHZ	<input type="checkbox"/> TTL	
		2 8 DC28V	1 2 DC-12GHZ		
			1 8 DC-18GHZ		
			2 0 DC-20GHZ		

\*Up 18-20GHZ : Pls contact factory before place order  
**1S71206** (SP7T Normally Open Type/DC12V/DC-6GHZ/SMA female/DB9 male)  
**1S82418T-V** (SP8T Normally Open Type/DC24V/DC-18GHZ/With TTL Control/SMA female/Mini DB15 female/AntiVibration)



Tel :10-82087227  
 Fax:10-82087380

E-mail: sales@rf-switch.com  
 Web site: www.rf-switch.com