

1KK4 Series Small Size DC-40GHZ Normally Open Type

SP3T-4T

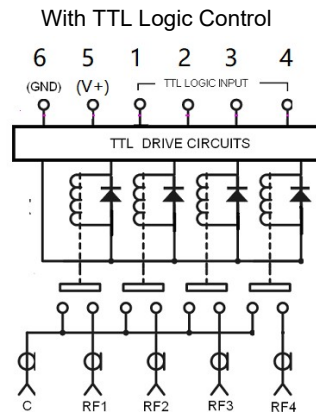
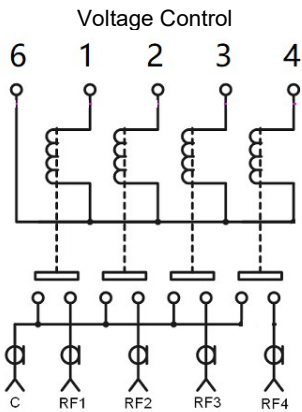
RF SPEC.

Frequency Range	Insertion Loss	VSWR	Isolation	Power Handling
DC-6GHZ	<0.30dB	<1.30	>70dB	30W
6-12GHZ	<0.40dB	<1.40	>65dB	20W
12-18GHZ	<0.50dB	<1.50	>60dB	15W
18-26.5GHZ	<0.70dB	<1.70	>55dB	10W
26.5-40GHZ	<0.90dB	<1.90	>50dB	5W



Characteristics	Outline Drawing (mm)
RF Impedance: 50 ohm	
Control Voltage/Current: DC12V /80mA DC24V / 40MA (Option5V,15V,28V)	
Switching Time: <20ms	
Operating Life: >100,000	
Operating Temperature: -25 ~ +60°C	
RF Interface: K(2.92mm) female	
Weight:	

Schematics



Part Number Selector

Series	RF Channel	Voltage	Frequency Range	TTL Control	Option
P/N:1KK	<input type="checkbox"/> 3 <input type="checkbox"/> 4	<input type="checkbox"/> 1 <input type="checkbox"/> 2 DC12V <input type="checkbox"/> 2 <input type="checkbox"/> 4 DC24V <input type="checkbox"/> 2 <input type="checkbox"/> 8 DC28V <input type="checkbox"/> 0 <input type="checkbox"/> 5 DC 5 V	<input type="checkbox"/> <input type="checkbox"/> DC-26.5GHZ <input type="checkbox"/> <input type="checkbox"/> DC-40GHZ	<input type="checkbox"/> NO TTL <input type="checkbox"/> TTL	-V (Anti Vibration) -W (Splash)

1KK31226 (Small Size SP3T Normally Open Type/DC12V/DC-26.5GHZ /K female)

1KK42426-V-W (Small Size SP4T Normally Open Type/DC24V/DC-26.5GHZ /K female/Anti Vibration/sPLASH)

1KK42440T (Small Size SP4T Normally Open Type/DC24V/DC-40GHZ / With TTL Control / K female)



Tel :0086-10-82087227

Fax:0086-10-82087380

E-mail: sales@rf-switch.com

Web site: www.rf-switch.com