

1SK6 Series Small Size DC-40GHZ Normally Open Type

SP3T-6T

RF SPEC.

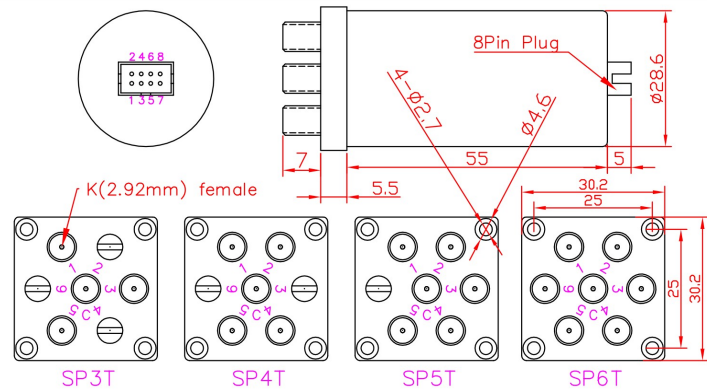
Frequency Range	Insertion Loss	VSWR	Isolation	Power Handling
DC-6GHZ	<0.30dB	<1.30	>70dB	30W
6-12GHZ	<0.40dB	<1.40	>65dB	20W
12-18GHZ	<0.50dB	<1.50	>60dB	15W
18-26.5GHZ	<0.60dB	<1.60	>55dB	10W
26.5-40GHZ	<0.80dB	<1.70	>50dB	5W



Characteristics

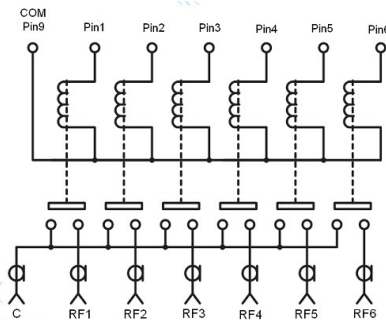
RF Impedance 50 ohm
 Control Voltage/Current: DC12V /80mA
 DC24V / 40mA (Option5V,15V,28V)
 Switching Time <20ms
 Operating Life >100,000
 Operating Temperature -25 ~ +60°C
 RF Interface K(2.92mm) female
 Weight:

Outline Drawing (mm)

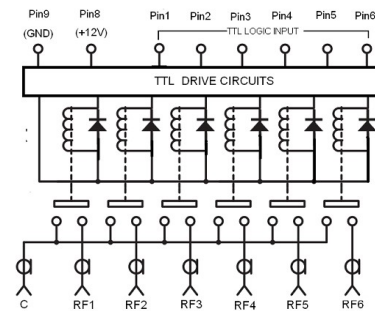


Schematics

Voltage Control



With TTL Logic Control



Part Number Selector

Series	RF Channel	Voltage	Frequency Range	TTL Control	Option
P/N: 1SK	<input type="checkbox"/>	<input type="checkbox"/> <input type="checkbox"/>	<input type="checkbox"/> <input type="checkbox"/>	<input type="checkbox"/>	-V (Anti Vibration)
	<input type="checkbox"/> 3	<input type="checkbox"/> 1 <input type="checkbox"/> 2 DC12V	<input type="checkbox"/> 2 <input type="checkbox"/> 6 DC-26.5GHZ	<input type="checkbox"/> NO TTL	-W (Splash)
	<input type="checkbox"/> 4	<input type="checkbox"/> 2 <input type="checkbox"/> 4 DC24V	<input type="checkbox"/> 4 <input type="checkbox"/> 0 DC-40GHZ	<input type="checkbox"/> T TTL	
	<input type="checkbox"/> 5	<input type="checkbox"/> 2 <input type="checkbox"/> 8 DC28V			
	<input type="checkbox"/> 6	<input type="checkbox"/> 0 <input type="checkbox"/> 5 DC5V			

1SK31226 (Small Size SP3T Normally Open Type/DC12V/DC-26.5GHZ /K female)

1SK42426-V-W (Small Size SP4T Normally Open Type/DC24V/DC-26.5GHZ /K female/Anti Vibration/Splash)

1SK62440T (Small Size SP6T Normally Open Type/DC24V/DC-40GHZ / With TTL Control / K female)



Tel :0086-10-82087227

Fax:0086-10-82087380

E-mail: sales@rf-switch.com

Web site: www.rf-switch.com