

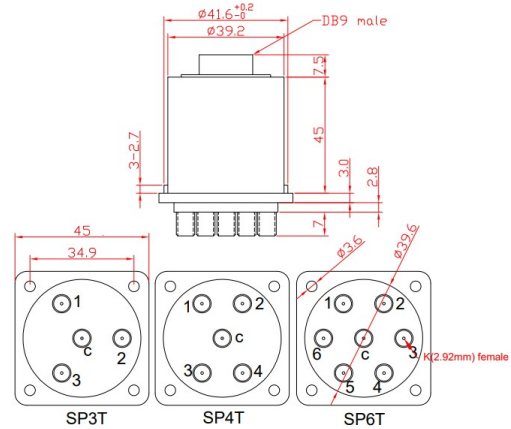
RF SPEC.

Frequency Range	Insertion Loss	VSWR	Isolation	Power Handling
DC-6GHZ	<0.30dB	<1.30	>70dB	30W
6-12.4GHZ	<0.40dB	<1.40	>65dB	20W
12.4-18GHZ	<0.50dB	<1.50	>60dB	15W
18-26.5GHZ	<0.80dB	<1.70	>55dB	10W
26.5-40GHZ	<1.00dB	<2.00	>50dB	5W

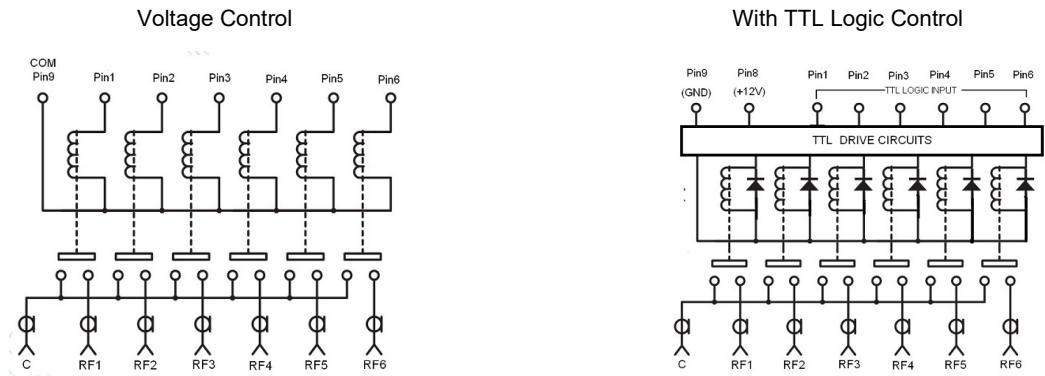


Characteristics | **Outline Drawing (mm)**

RF Impedance 50 ohm
 Control Voltage/Current : DC12V /300mA
 DC24V / 150MA (Option:15V,28V)
 Switching Time <20ms
 Operating Life >100,0000
 Operating Temperature -25 ~ +65°C
 RF Interface K(2.92mm) female
 Weight :



Schematics



Part Number Selector

Series	RF Channel	Voltage	Frequency Range	TTL Control	Option1	Option2
P/N: 1K	<input type="checkbox"/>	<input type="checkbox"/> <input type="checkbox"/>	<input type="checkbox"/> <input type="checkbox"/>	<input type="checkbox"/>	<input type="checkbox"/>	-V (Anti Vibration)
	<input type="checkbox"/> 3	<input type="checkbox"/> 1 <input type="checkbox"/> 2 DC12V	<input type="checkbox"/> 2 <input type="checkbox"/> 6 DC-26.5GHZ	<input type="checkbox"/> NO TTL	<input type="checkbox"/> DB9 male	-W (Splash)
	<input type="checkbox"/> 4	<input type="checkbox"/> 2 <input type="checkbox"/> 4 DC24V	<input type="checkbox"/> 4 <input type="checkbox"/> 0 DC-40GHZ	<input type="checkbox"/> T TTL	<input type="checkbox"/> S Soldering Pin	
	<input type="checkbox"/> 5	<input type="checkbox"/> 2 <input type="checkbox"/> 8 DC28V				
	<input type="checkbox"/> 6					

- 1K31226 (SP3T Normally Open Type/DC12V/DC-26.5GHZ/K female/DB9 male)
- 1K42440T (SP4T Normally Open Type/DC24V/DC-40GHZ/With TTL Control/K female/DB9 male)
- 1K61240-S-V-W (SP6T Normally Open Type/DC12V/DC-40GHZ/K female/Soldering Pin/Anti Vibration/Splash)



Tel :10-82087227
 Fax:10-82087380

E-mail: sales@rf-switch.com
 Web site: www.rf-switch.com