

**SP8T Normally Open Type
DC-18GHZ / SMA female**

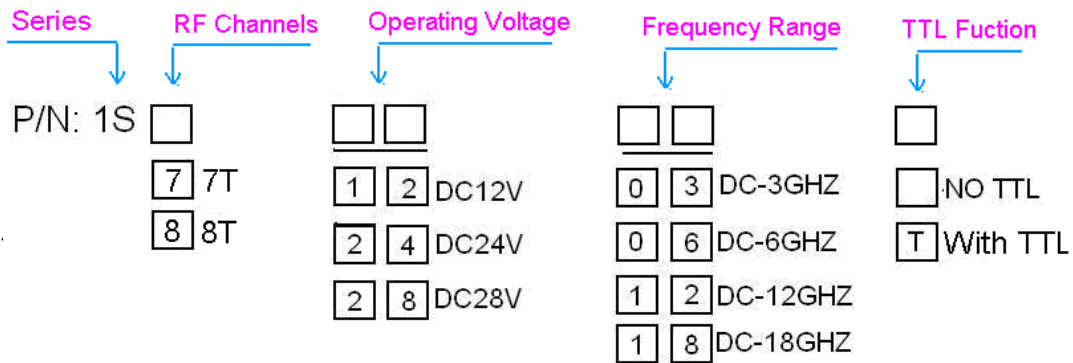
RF SPEC.:

Frequency Range	DC-3GHZ	3-6GHZ	6-12GHZ	12-18GHZ
VSWR	<1.20	<1.30	<1.50	<1.60
Insertion Loss	<0.2dB	<0.3dB	<0.4dB	<0.8dB
Isolation	>80dB	>70dB	>60dB	>50dB
Power Handling(CW)	80W	60W	30W	20W



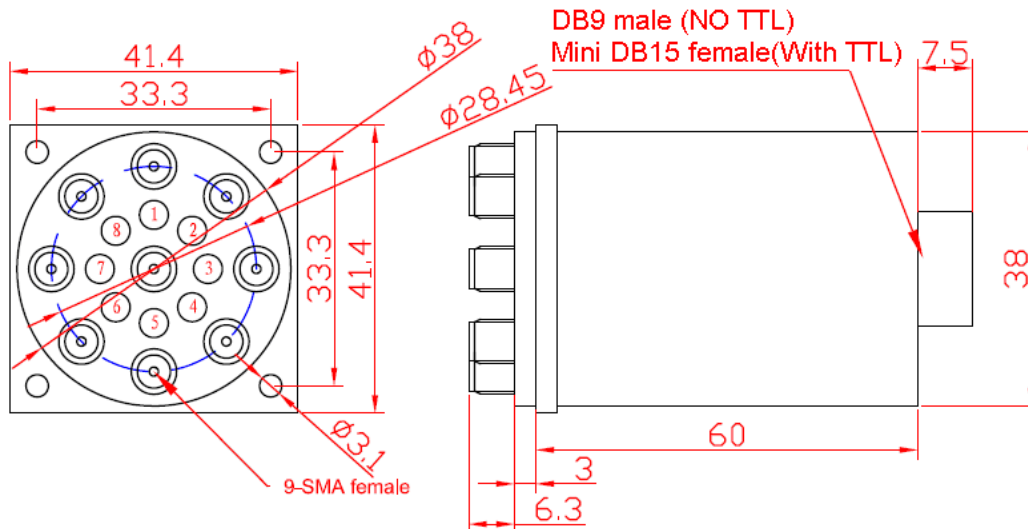
- . RF Impedance: 50 ohm
- . Operating Voltage: DC12V/270mA (Option:DC24V/140mA,)
- . Switching Time: <15ms
- . Life:>1 000000cycles
- . Switching Sequence:Break Before Make
- . Operating Temperature: -35 ~ +65°C
- . RF Interface: SMA female

P/N SPEC.:



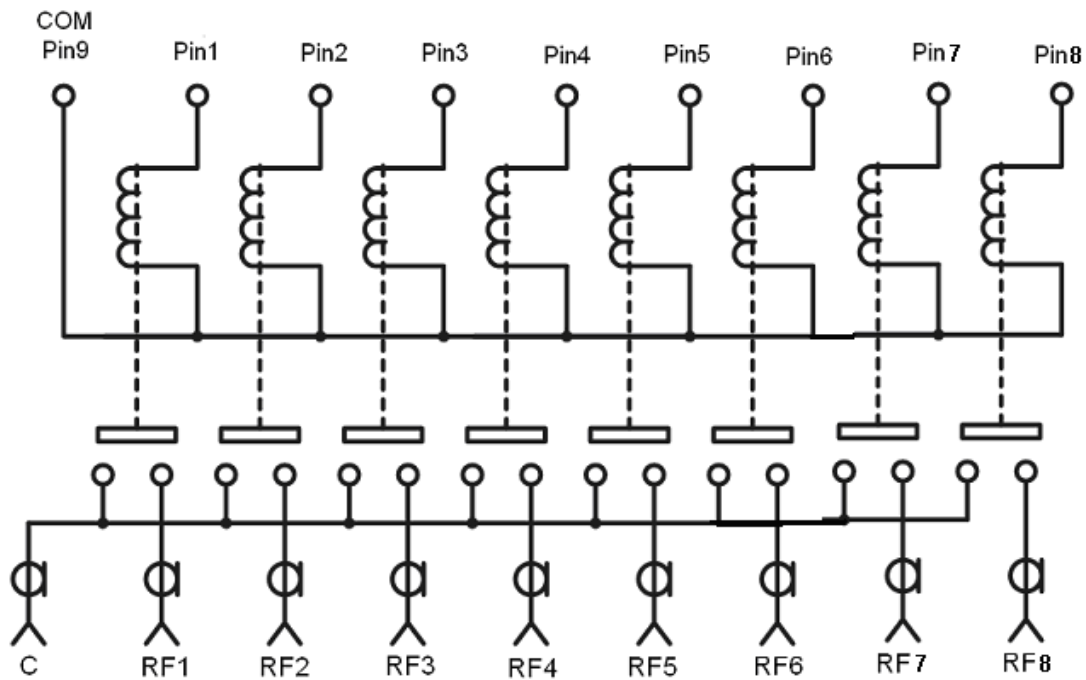
Sample: **1S81212** (SP8T/DC12V/DC-12GHZ/SMA female)

Outline (mm) :



Schematic

Voltage Control (Control interface: DB9 male)



With TTL Logic Control (Control interface: Mini DB15 female)

